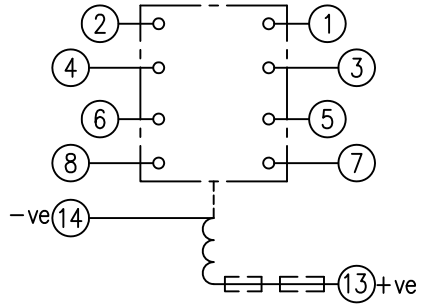


2112W50060

LOOKING ON FRONT OF RELAY

NOT SUBJECT TO UPDATE  
ONCE COPIED / PRINTED  
OR DOWNLOADED



NOTE:

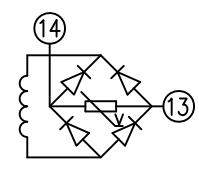
1. RESISTORS ARE NOT REQUIRED ON OTHER VOLTAGE VARIATIONS.
- \* 2. THE AR141T2 125VDC & 240VDC VERSIONS MUST HAVE RESISTOR 2101C21471 FITTED INSTEAD OF THE ONE SPECIFIED ON CHART. SEE RELEVANT B.O.M.
3. HEAVY DUTY CONTACTS ARE FITTED WITH BLOWOUT MAGNETS AND ARE POLARITY CONSCIOUS. SEE TABLE FOR +VE TERMINAL.

50	NIL.	NIL.	
125	* 2101C21102 ONLY.	NIL.	SEE NOTE 2 *
240	* 2101C21102 +EXT. RES.	EXT. RES. ONLY	SEE NOTE 2 *
VDC	RES.(T1,T2,T3,T6).	RES.(T4).	REMARKS

- KEY**
- make contact
  - break contact
  - c/o contact
  - ext. conn plug bridge - shorting
  - metering point
  - 5Kv barrier
  - test socket - shorting
  - plug & socket

CONTACT CONFIG.	OUTPUT CONTACT PAIR / TERMINAL No.					
	1-3	2-4	5-7	6-8	9-11	10-12
4M	M	M	M	M		
3M 1B	M	B	M	M		
2M 2B	B	B	M	M		
1M 3B	B	B	M	B		
4B	B	B	B	B		
4M(HD)	M+	M+	M+	M+		
3M(HD) 1B(HD)	M+	M+	M+	+B		
2M(HD) 2M(STD)	M+	M+	M	M		
2M(HD) 2B(STD)	M+	M+	B	B		
2M(STD) 2B(HD)	M	M	+B	+B		

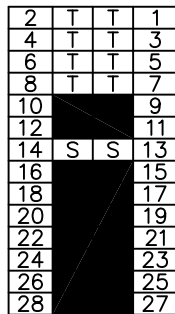
NOTE: WHEN RECTIFIER IS SPECIFIED COIL CONNS. ARE AS SHOWN.



FRAME REFERENCE: E2FAQQ.

FRAME TERMINAL BLOCK ASSY: -

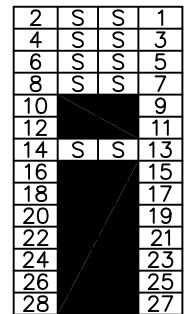
ASSEMBLY INSTRUCTIONS: -  
TYPICAL ASSEMBLY DRAWING 2995G10032.  
AT INDICATED POSITIONS FIT AS FOLLOWS:  
T - FIT TRIP ISOLATION CONTACT 2995B10053  
S - FIT STANDARD CONTACT 2995B10054  
SECURE CONTACTS USING FIXING SCREW 2109F99009.  
POSITIONS SHOWN BLANK ARE UNUSED



VIEW FROM NUMBERED SIDE OF BLOCK

OUTER TERMINAL BLOCK ASSY: -

ASSEMBLY INSTRUCTIONS: -  
TYPICAL ASSEMBLY DRAWING 2995G10029.  
AT INDICATED POSITIONS FIT AS FOLLOWS:  
S - FIT STANDARD CONTACT 2995B10051  
HC - FIT 'HEAVY CURRENT' KIT 2995G10030  
WHERE IS SHOWN FIT CT SHORTING KIT 2995G10031  
POSITIONS SHOWN BLANK ARE UNUSED.  
ALL POSITIONS FIT SCREW 2106F12506.



VIEW FROM INSIDE FACE

			Title: T.B. AND W.D. FOR AR1-1T- 4 CONTACT (STD & HD) RELAYS IN EPSILON E2 CASE.		First used on:	
			<b>Reyrolle Protection Hebburn.</b>		Similar Articles:	
					Supersedes:	
					Original Scale:	
					Drg.No. <b>2112W50060</b>	
3 RDW	10/09/09	MN112/3177				
2 RDW	27/07/07	MN112/2888				
1	21/04/99					
ISSUE	DATE	MOD.No.				
DRAWN: A.LAW.		CHECKED:	APPROVED: R.D.WATSON	DATE: 16/07/02	Copyright © 1999 Reyrolle Ltd.	